

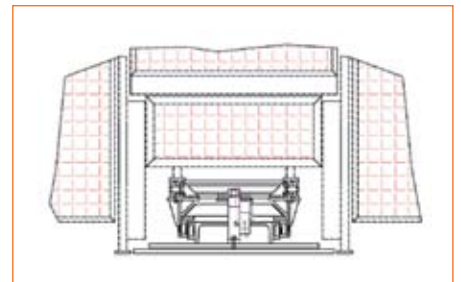
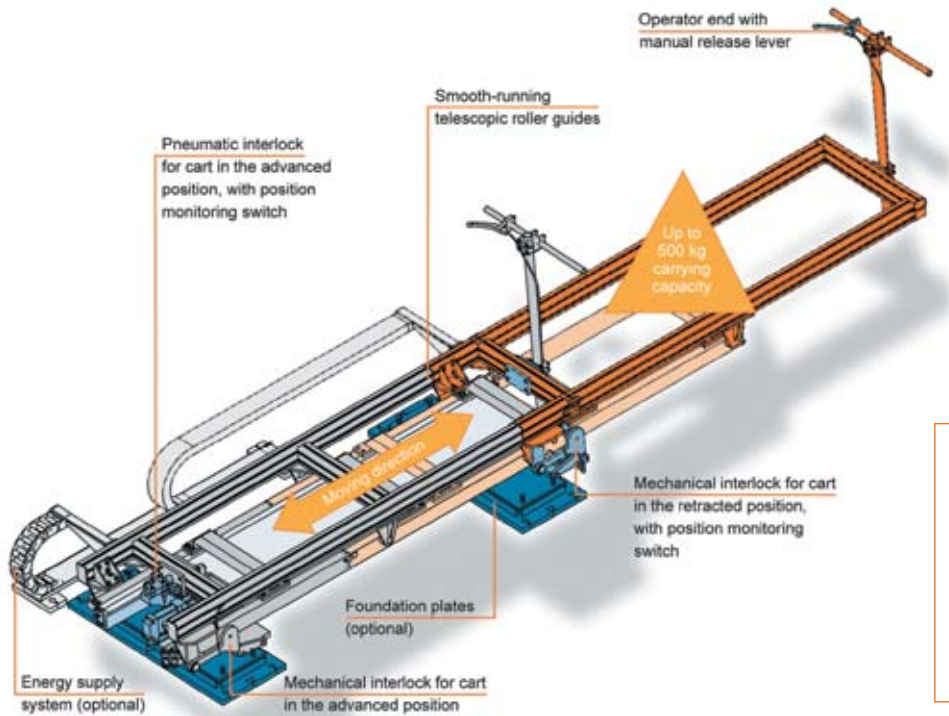
# KUKA

KUKA Automotive Solutions

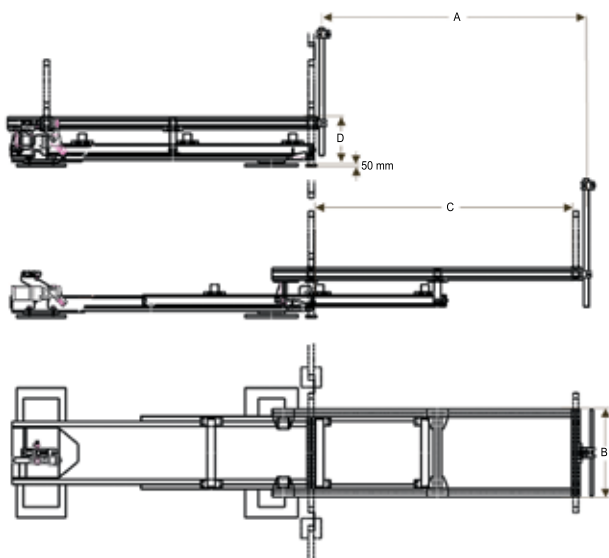
## KS PULLOUT CARRIER



■ **KS PULLOUT CARRIER**



SAFETY FENCING INSTALLED BY THE CUSTOMER



**TECHNICAL DATA**

■ Travel:	A: 800 - 2400 mm (200 mm steps)
■ Cart width:	B: 660 mm
■ Superstructure length:	C: Travel - 50 mm
■ Height:	D: 328 mm
■ Repeatability:	+/- 0.5 mm
■ Max. carrying capacity:	800 - 2000 mm: 500 kg for travel 2200 mm: 400 kg (200 mm steps) 2400 mm: 300 kg
■ Dimensions of tool plate:	Length see C, width up to 2500 mm/ greater with optional support rollers

Specifications regarding the quality and usability of the products do not constitute a warranty of properties. They are intended to serve informative purposes only. Solely the respective contract of sale shall be binding in respect of the extent of our supplies and services.

For more details contact us at [standard@kuka.de](mailto:standard@kuka.de) or call + 49 821 797-1757.

**KUKA Systems GmbH**

Bluecherstrasse 144 | 86165 Augsburg | Germany  
Tel. + 49 821 797-0 | Fax + 49 821 797-1991  
info@kuka.de | www.kuka-systems.com

**International**

Benelux | Brazil | China | France | Germany | India  
Mexico | Norway | Russia | Slovakia | Sweden | UK | USA

**KUKA**