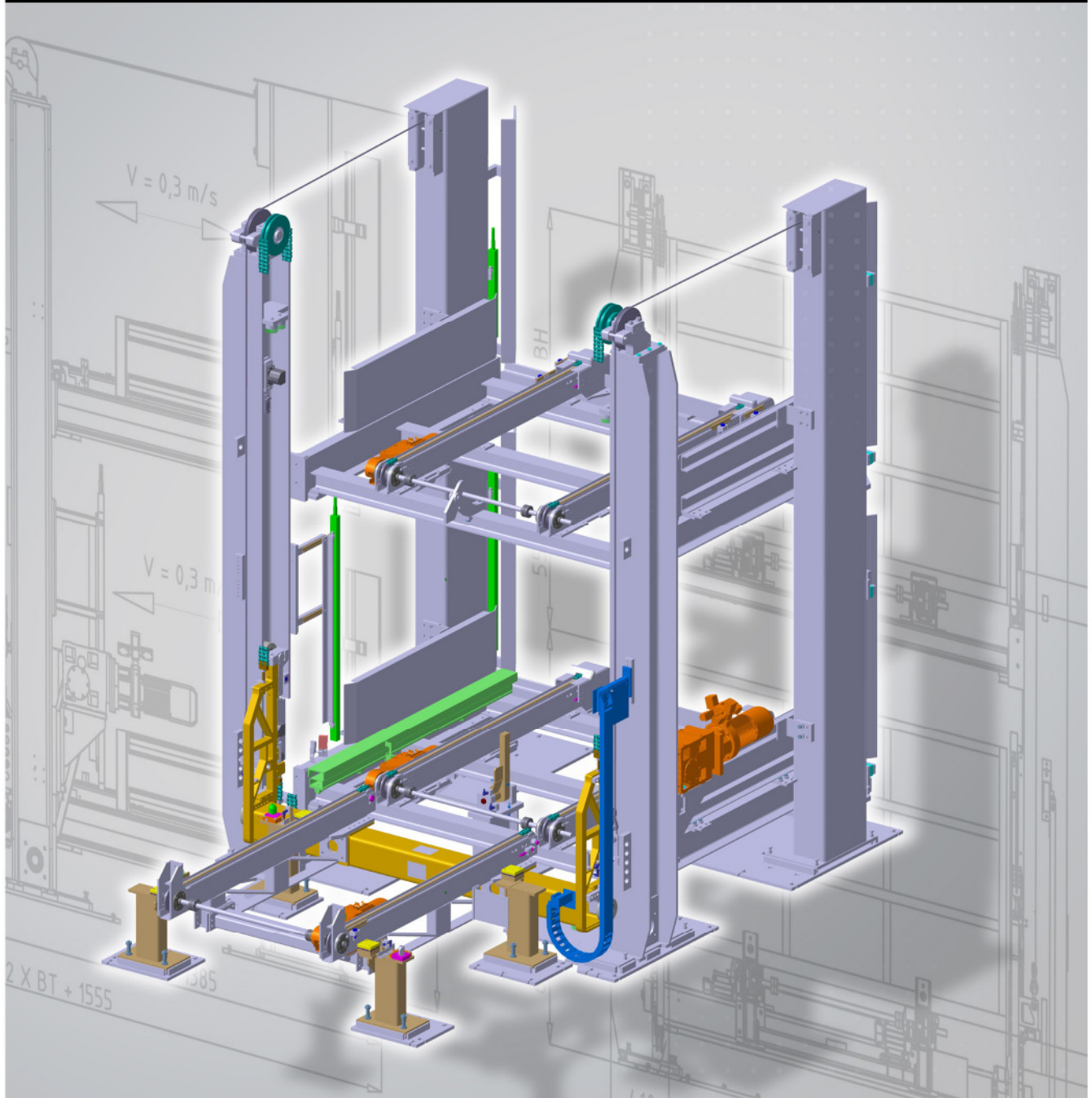


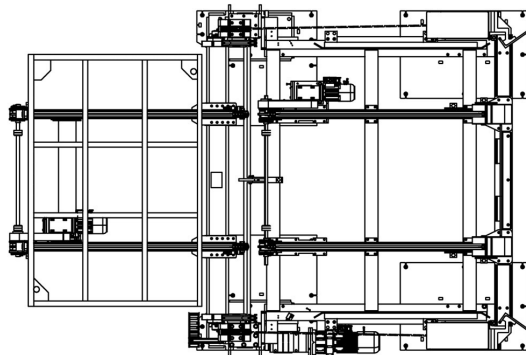
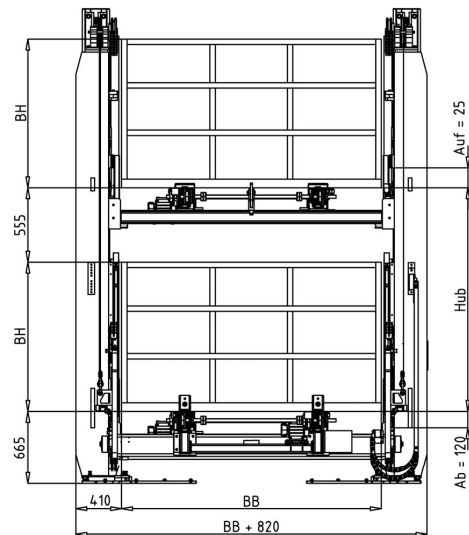
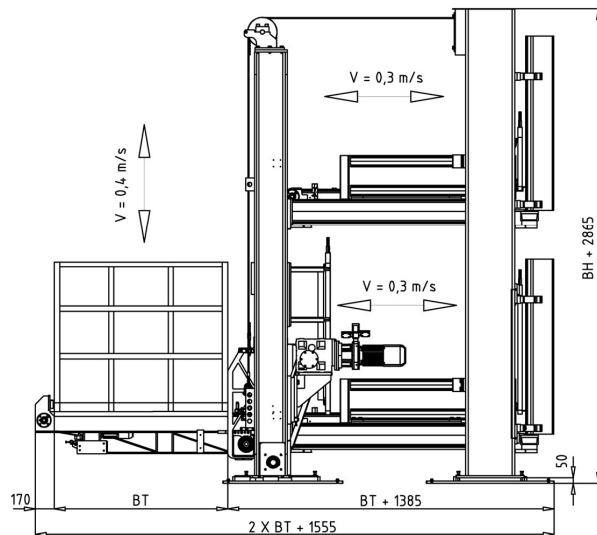
KUKA

KUKA Standard Products

KS RACK CHANGER



KS RACK CHANGER



Rack changing time:
Example for rack size BB 2400 x BT 1600 x BH 1500: 35 sec.

Shown: model 881.011
Model 881.011 features lifting drive on left
when viewed from loading side
Model 881.012 features lifting drive on right
when viewed from loading side

RACK SIZES*

Selection criterion	Variable	Minimum values	Maximum values	Steps
Rack width	BB	2000 mm	3800 mm	200 mm
Rack height	BH	1200 mm	2000 mm	250 mm
Rack depth	BT	1250 mm	2000 mm	200 mm

PAYLOAD

- a) Payload up to 1200 kg
- b) Payload up to 1700 kg

RACK CHANGER, LIFTING DRIVE SYSTEM

- a) Model 881.011, lifting drive on left when viewed from loading side
- a) Model 881.012, lifting drive on right when viewed from loading side

OPTIONS

- a) Pneumatic rack stop
- b) Pneumatic load support frame
- c) Rack positioning support

* Other dimensions and designs are available on request

** The dimensions of the racks are possible in smaller dimensions

Specifications regarding the quality and usability of the products do not constitute a warranty of properties. They are intended to serve informative purposes only. Solely the respective contract of sale shall be binding in respect of the extent of our supplies and services.

KUKA Systems GmbH | Bluecherstrasse 144 | 86165 Augsburg | Germany
Tel. + 49 821 797-0 | Fax + 49 821 797-1991 | info@kuka.de | www.kuka.com

International

Benelux | Brazil | China | France | Germany | India | Korea | Mexico | Norway
Russia | Slovakia | Sweden | UK | USA

KUKA