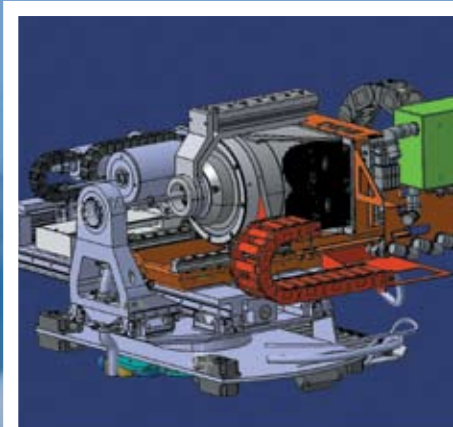


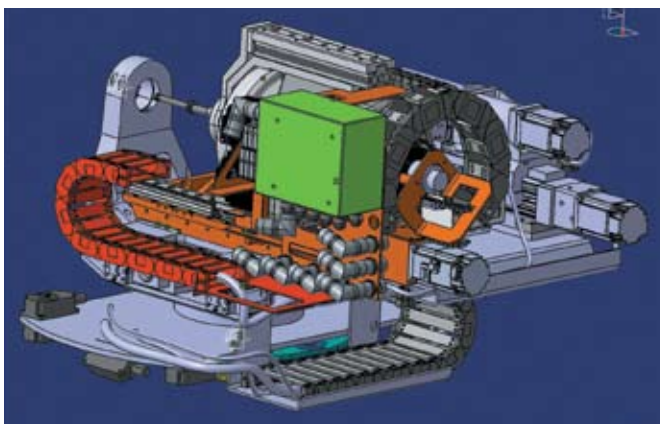
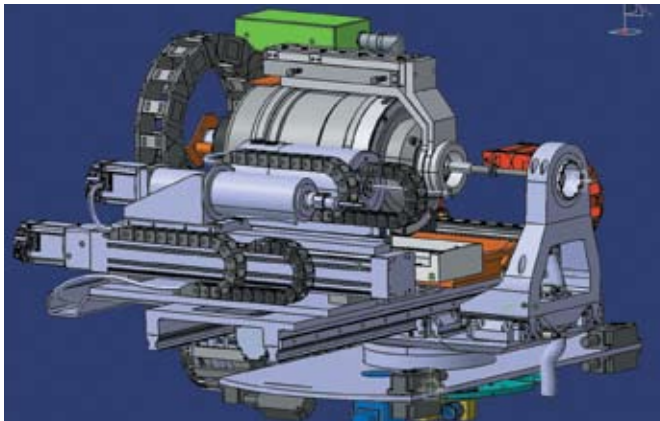
# KUKA

KUKA Aerospace Solutions

## KUKA MFEE MULTI-FUNCTIONAL END-EFFECTOR



■ **KUKA MFEE**  
**MULTI-FUNCTIONAL**  
**END-EFFECTOR**



Multi-functional robot end-effector designed specifically for the automated drilling and fastening of complex aircraft structures.

The unit is of a modular design, capable of being adapted to individual application requirements, and features both orbital and conventional (axial) drilling capability, in mixed materials (aluminium, titanium, carbonfibre).

The unit additionally features an integrated non-contact optical-probe to measure the quality of the drilled hole; in cycle. Furthermore, insertion and activation of temporary fasteners is included in this unit.

Specifications regarding the characteristics and usability of the products do not constitute a warranty of properties. They are intended to serve informative purposes only. Some items of equipment depicted in the illustrations are optional, and are not included in the standard scope of supply. Solely the respective contract of sale shall be binding in respect of the extent of our supplies.

For more details contact us at [aerospace@kuka.de](mailto:aerospace@kuka.de) or call + 49 821 797-2543.

**KUKA Systems GmbH**

Bluecherstrasse 144 | 86165 Augsburg | Germany  
 Tel. + 49 821 797-0 | Fax + 49 821 797-1991  
[info@kuka.de](mailto:info@kuka.de) | [www.kuka.com](http://www.kuka.com)

**International**

Benelux | Brazil | China | France | Germany | India | Mexico  
 Norway | Russia | Slovakia | South Korea | Sweden | UK | USA

**TECHNICAL DATA**

Hole Diameter:	6,0 mm - 22,4 mm
Material thickness:	Up to 120 mm
Material Capability:	Aluminium / Titanium / CFC
Deployment:	Developed Together with Airbus UK
Price:	On Request

**COMPONENTS**

**BASIC SCOPE**

**OPTIONS**

■ Robot Mounting and Energy Supply Loom	■	
■ Novator Orbital-Drilling Module	■	
■ Non-Contact Optical-Probe	■	
■ Fastener Module	■	
■ MFEE Control System	■	
■ Programmable Drilling Recipes	■	
■ Controllable Pressure-Foot	■	
■ Automatic Drill-Tool Change	■	
■ Integrated Tool-Tip Extraction	■	
■ LED's for KUKA "Adaptive Guidance" System		■
■ Quick-Release Coupling for End-Effector Exchange		■
■ Choice of Drill-Spindle Systems		■
■ Orbital or Axial Drilling		■
■ Tool Management with Balluff Chips		■
■ Through-Tool Coolant & MQL		■

**KUKA**