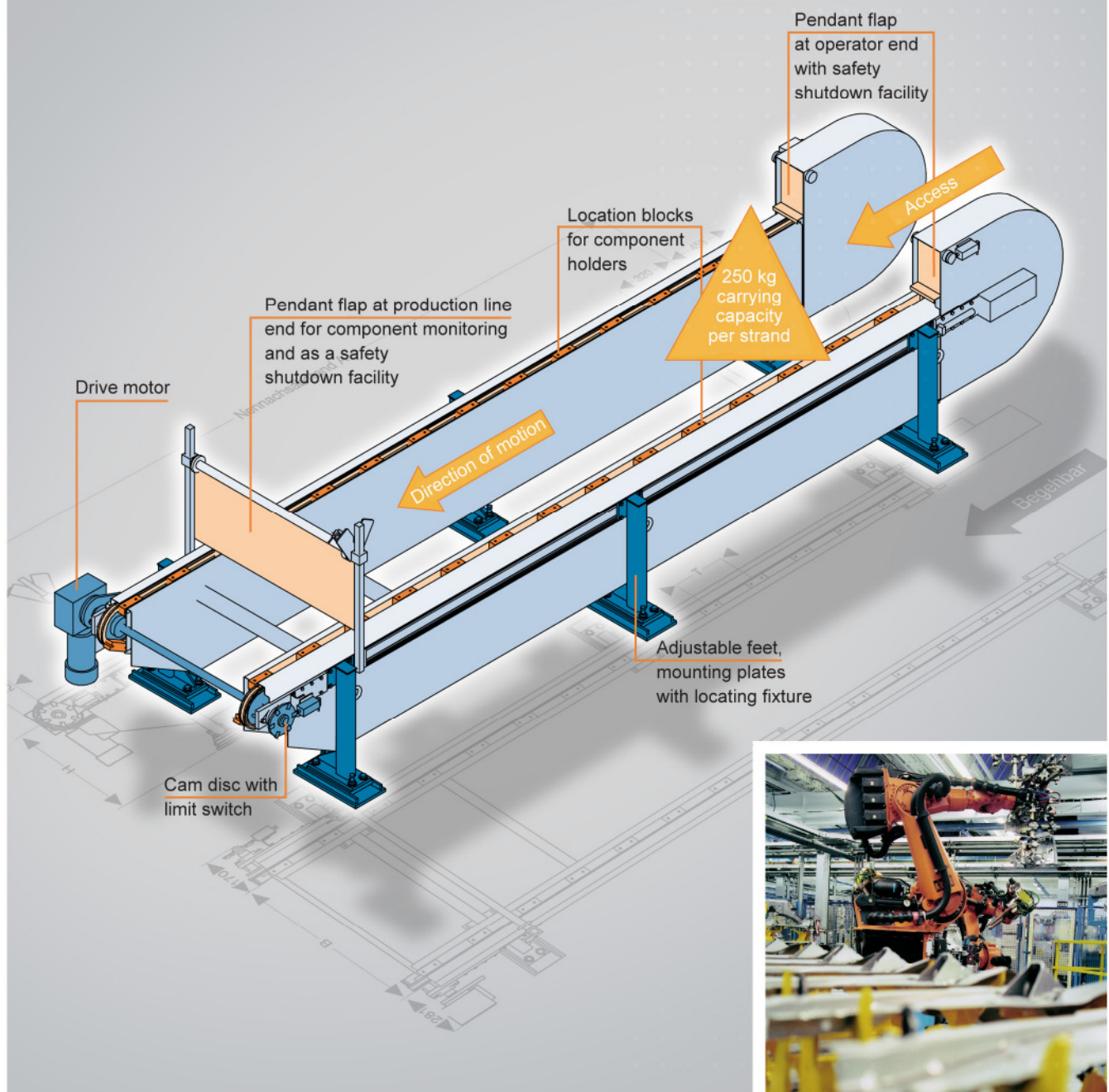
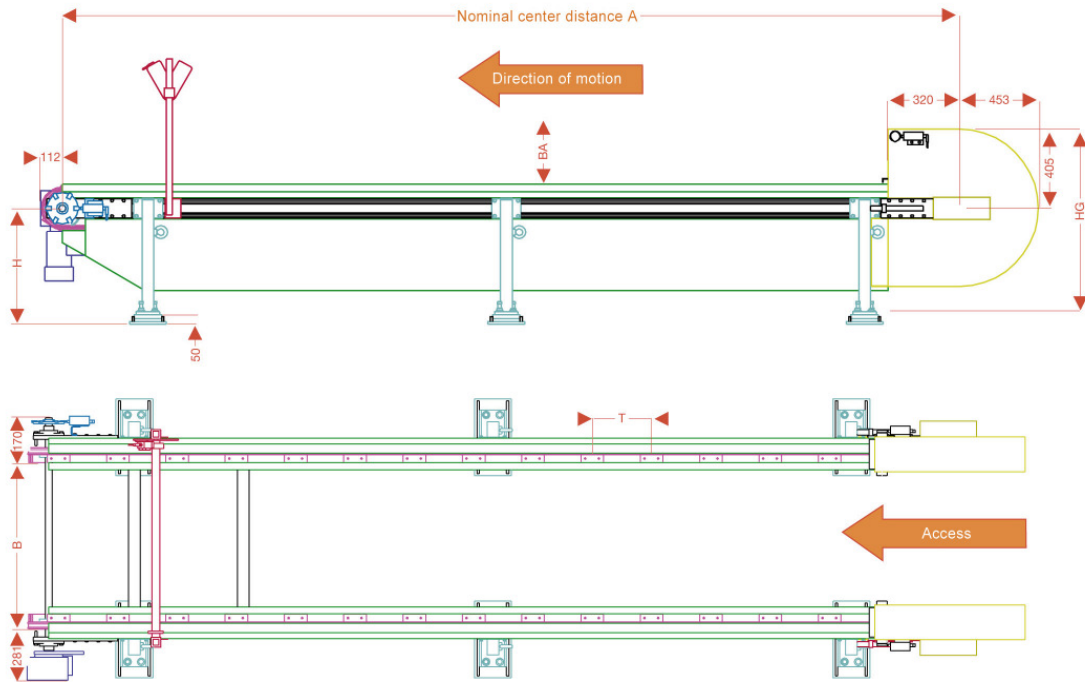


KUKA Standard Products

## KS CHAIN MAGAZINE DOUBLE STRAND / OPERATOR ACCESS BETWEEN STRANDS

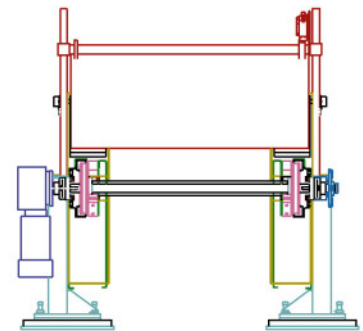


## KS CHAIN MAGAZINE DOUBLE STRAND / OPERATOR ACCESS BETWEEN STRANDS



### TECHNICAL DATA

- Nominal center distance A: Normal: 1524 - 6236 mm (152 mm steps)  
Extra long: 6388 - 11556 mm (152 mm steps)
- Axis height H: 450 - 1150 mm (50 mm steps)
- Height of component location BA: max. 200 mm
- Track width B: 300 - 2000 mm (100 mm steps)
- Overall height HG: H + 405 mm
- Component spacing (indexing) T: 101.6, 152.4, 203.2, 304.8, 609.6 mm (4", 6", 8", 12", 24")
- Velocity: v = 50 mm/s
- Positioning accuracy: +/- 0.5 mm
- Max. carrying capacity: mT = 250 kg per chain strand
- Max. load: 7.5 kg (per location block)
- Installation position: Upright (inverted or inclined: optional)



Specifications regarding the characteristics and usability of the products do not constitute a warranty of properties. They are intended to serve informative purposes only. Some items of equipment depicted in the illustrations are optional, and are not included in the standard scope of supply. Solely the respective contract of sale shall be binding in respect of the extent of our supplies.

**KUKA Systems GmbH** | Bluecherstrasse 144 | 86165 Augsburg | Germany  
Tel. + 49 821 797-0 | Fax + 49 821 797-1991 | info@kuka.de | www.kuka.com

**International**  
Benelux | Brazil | China | France | Germany | India | Mexico | Norway | Russia  
Slovakia | South Korea | Sweden | UK | USA

# KUKA