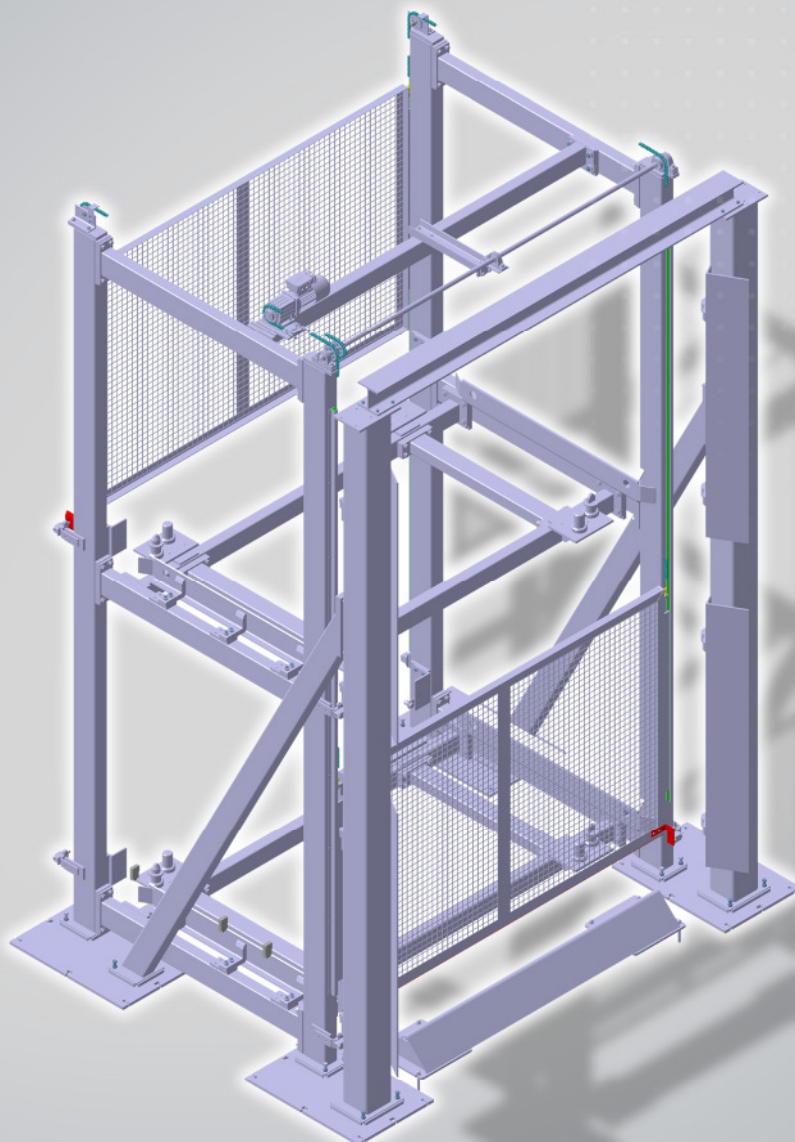


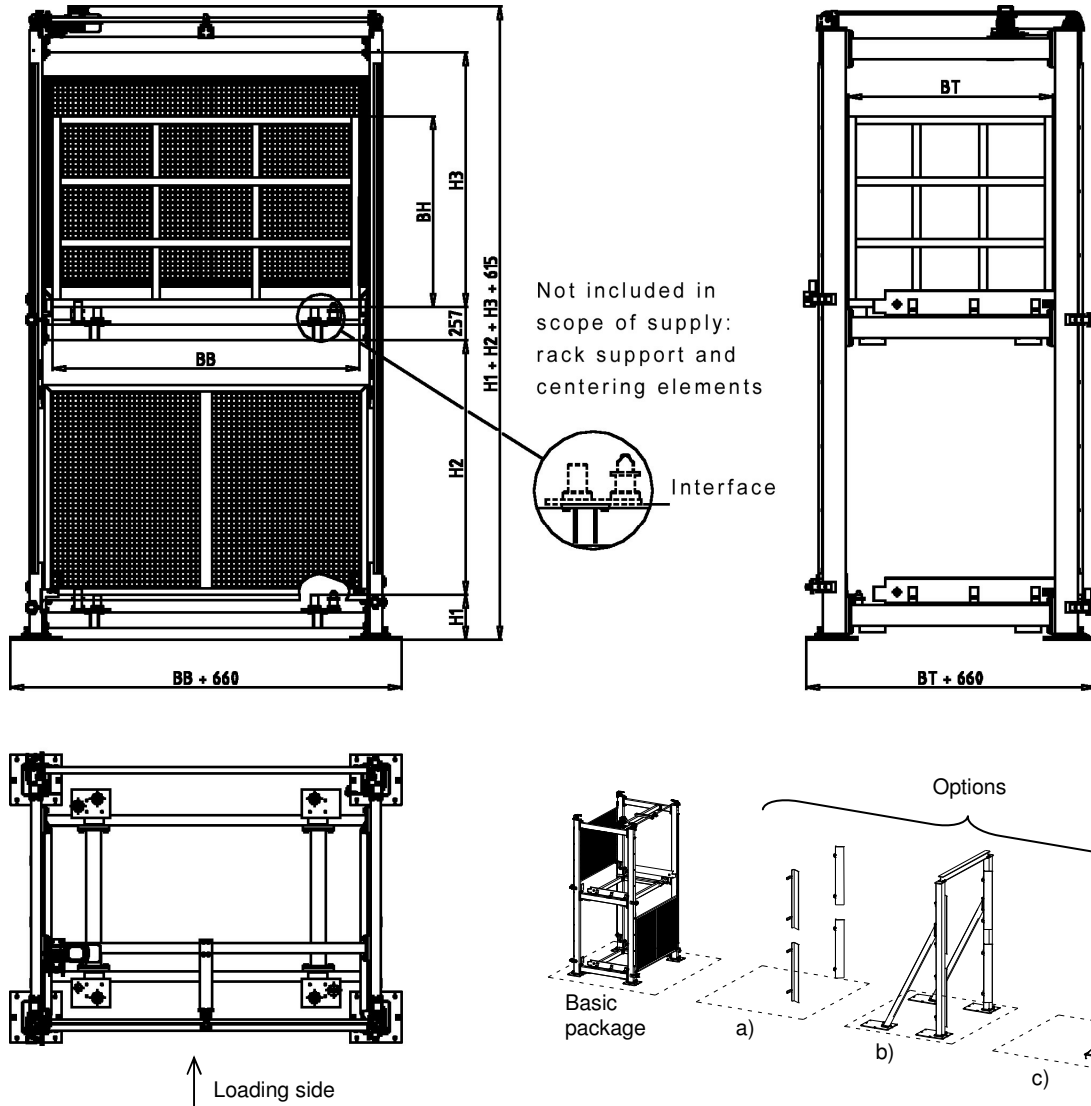
KUKA

KUKA Standard Products

KS RACK TOWER



■ KS RACK TOWER



RACK SIZES*

Selection criterion	Variable	Minimum values	Maximum values	Steps
Height	H1	350 mm	800 mm	50 mm
Height	H2	1600 mm	2500 mm	100 mm
Height	H3	1600 mm	2500 mm	100 mm
Rack width	BB	1900 mm	3800 mm	100 mm
Rack depth	BT	1100 mm	2000 mm	100 mm

Note: For heights H2 and H3, the following conditions apply: $H2 \geq (BH + 200)$, $H3 \geq (BH + 200)$ with rack height BH

PAYLOAD

Payload up to 2000 kg per rack

OPTIONS*

- a) Collision guard mounted directly on the front columns
- b) Separate collision guard with supports
- c) Floor-mounted stop

* Other dimensions, designs and options are available on request.

Specifications regarding the characteristics and usability of the products do not constitute a warranty of properties. They are intended to serve informative purposes only. Some items of equipment depicted in the illustrations are optional, and are not included in the standard scope of supply. Solely the respective contract of sale shall be binding in respect of the extent of our supplies.

KUKA Systems GmbH | Bluecherstrasse 144 | 86165 Augsburg | Germany
 Tel. + 49 821 797-0 | Fax + 49 821 797-1991 | info@kuka.de | www.kuka.com

International
 Benelux | Brazil | China | France | Germany | India | Mexico | Norway | Russia
 Slovakia | South Korea | Sweden | UK | USA

KUKA